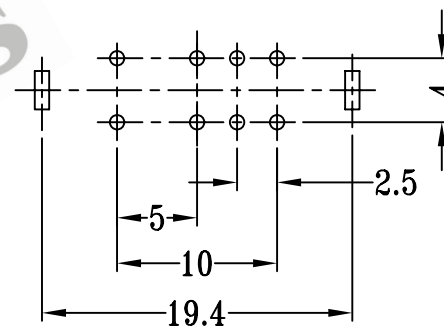
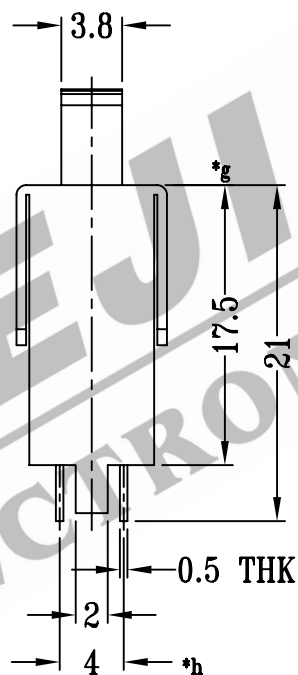
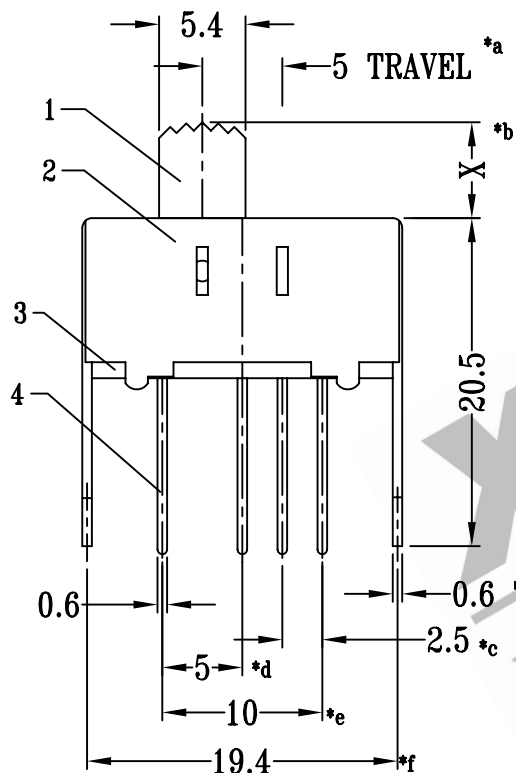
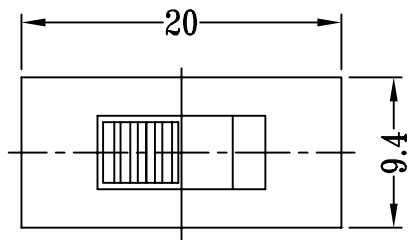
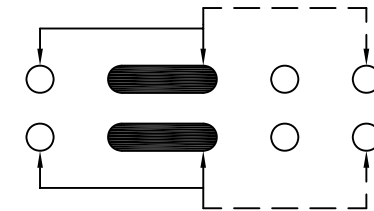


CAD FILE:



P.C.B LAYOUT



SCHEMATIC (NOT-SPECIFIED)

注:带*表示关键尺寸(8个)

8					TOLERANCE	SHENZHEN XIEJIA ELECTRONICS CO.,LTD.				
7	STEEL BALL	STEEL	2	NATURAL	UNLESS SPECIFIED					
6	SPRING	STEEL WIRE	1	TEMPER	WITHIN: 1.5±0.1mm					
5	CONTACT CLIP	PBS STRIP	2	Ag PLATED	OVER : 1.5±0.2mm	ISSUE	DATE	DESCRIPTIONS		APPD.
4	TERMINAL	BRASS STRIP	8	Ag PLATED OVER Ni PLATED	TITLE : VERTICAL SLIDE SWITCH		UNIT : MM	DRWG NO.: XJ-DR-SS22J13-00		
3	BASE	PHENOLIC RESIN	1	NATURAL	MODEL: SS-22J13		SCALE: 2:1	DWN.	ZHOUYU	2004-12-28
2	FRAME	STEEL STRIP	1	Ni PLATED	ALL MATERIALS MUST BE COMPLIANT TO ROHS			CHK'D	FANGYING	2004-12-28
1	KNOB	POM	1	BLACK				APPD.	KANGXINAN	2004-12-28
NO.	PART NAME	MATERIAL	Q'TY	FINISHING						